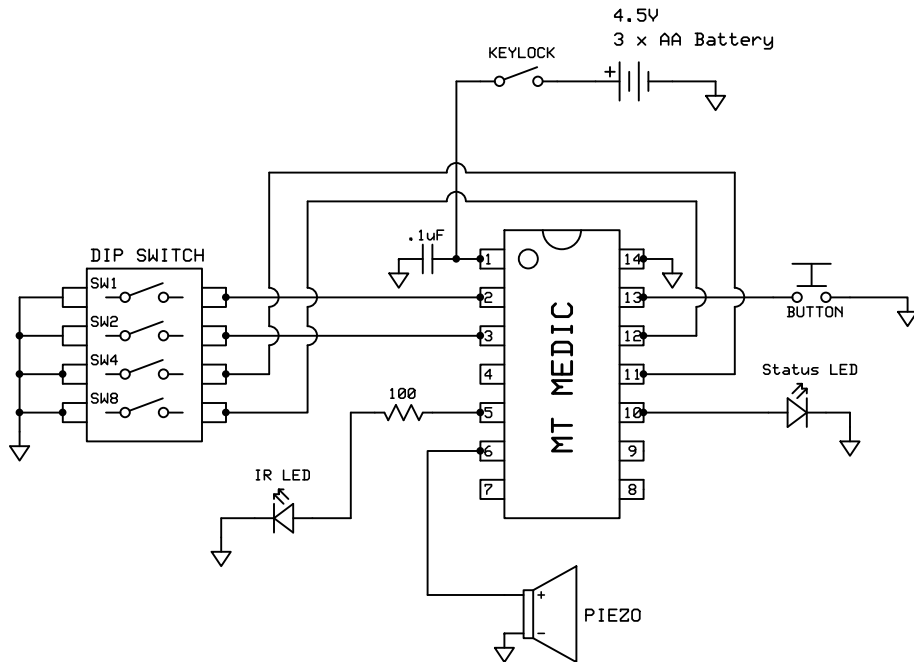
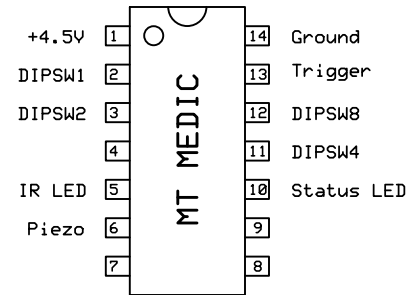


INSTRUCTIONS:

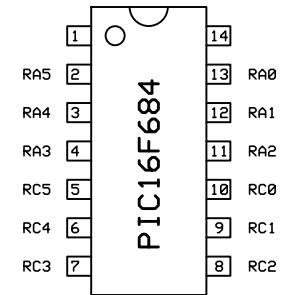
1. Hold BUTTON for >1 seconds to start.
2. Continue holding to increase HEALTH.
3. LED flashes when low.
4. Long BEEP when depleted.
5. Turn Keyswitch Off then On to reset.



REFERENCE



REFERENCE



Microchip Part # PIC16F684-I/P
 FIRMWARE: MT_Medic_##.hex
 OSC = INTOSCIO
 PWRTE = Enabled
 MCLR = Input Pin
 WDT = Enabled

SW4	SW2	SW1	CAPACITY SET
OFF	OFF	OFF	50 Points
OFF	OFF	ON	100 Points
OFF	ON	OFF	150 Points
OFF	ON	ON	200 Points
ON	OFF	OFF	250 Points
ON	OFF	ON	300 Points
ON	ON	OFF	400 Points
ON	ON	ON	500 Points

SW8: OFF=Slow Heal, ON=Fast Heal

Combat TAG, LLC	
MilesTag Micro Medic	
J. Robertson	Rev 6 11/23/2009